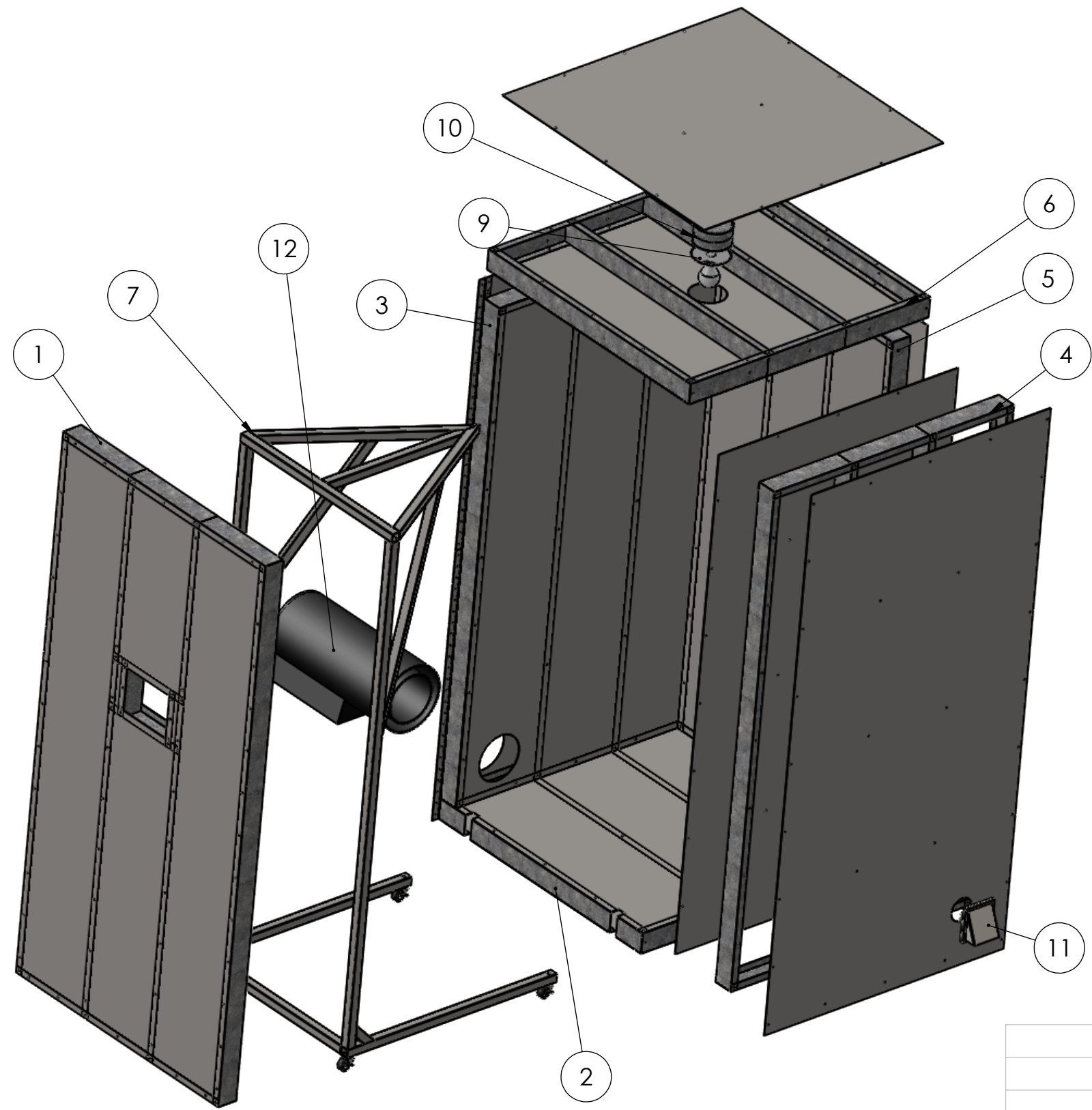


4

3

2

1



| Item Number | Item Name |
|-------------|---------------------|
| 1 | Door Assembly |
| 2 | Base Assembly |
| 3 | Left Side Assembly |
| 4 | Right Side Assembly |
| 5 | Back Assembly |
| 6 | Roof Assembly |
| 7 | Rack System |
| 8 | Hinges |
| 9 | Light Assembly 1 |
| 10 | Light Assembly 2 |
| 11 | Heat Vent |
| 12 | Heater |

| | | | | |
|---|---------|-----------|------|----------------------------------|
| UNLESS OTHERWISE SPECIFIED: | | NAME | DATE | Northern Arizona University |
| DIMENSIONS ARE IN INCHES TOLERANCES: FRACTIONAL ± ANGULAR: MACH ± BEND ± TWO PLACE DECIMAL ± THREE PLACE DECIMAL ± | | DRAWN | | |
| INTERPRET GEOMETRIC TOLERANCING PER: | | ENG APPR. | | SIZE DWG. NO. REV |
| MATERIAL | | MFG APPR. | | B |
| NEXT ASSY | USED ON | Q.A. | | SCALE: 1:50 WEIGHT: SHEET 1 OF 1 |
| APPLICATION | | COMMENTS: | | |
| DO NOT SCALE DRAWING | | | | |

PROPRIETARY AND CONFIDENTIAL
 THE INFORMATION CONTAINED IN THIS DRAWING IS THE SOLE PROPERTY OF <INSERT COMPANY NAME HERE>. ANY REPRODUCTION IN PART OR AS A WHOLE WITHOUT THE WRITTEN PERMISSION OF <INSERT COMPANY NAME HERE> IS PROHIBITED.

4

3

2

1